

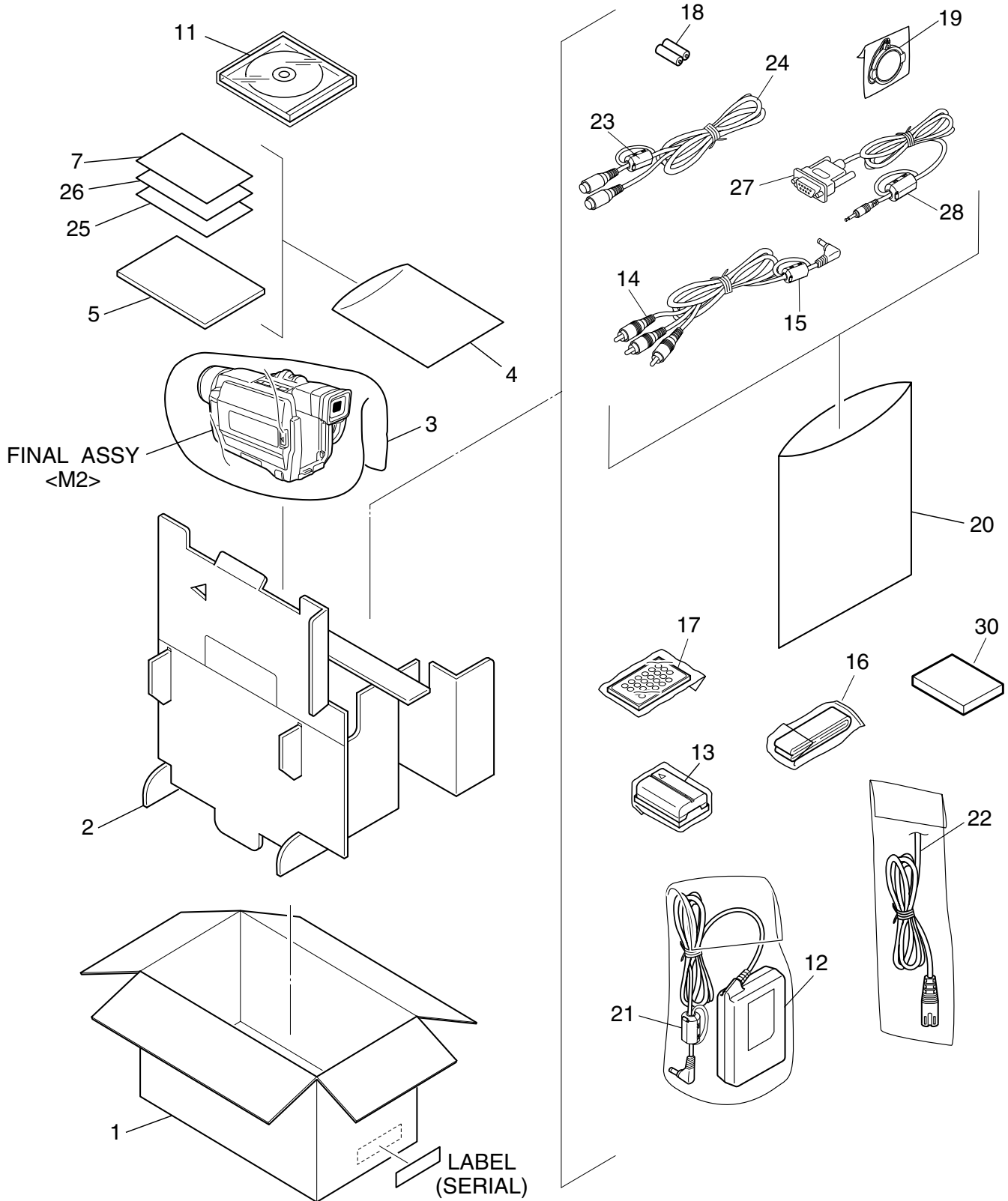
# SECTION 5 PARTS LIST

## SAFETY PRECAUTION

Parts identified by the  $\triangle$  symbol are critical for safety. Replace only with specified part numbers.

### 5.1 PACKING AND ACCESSORY ASSEMBLY <M1>

The instruction manual to be provided with this product will differ according to the destination.



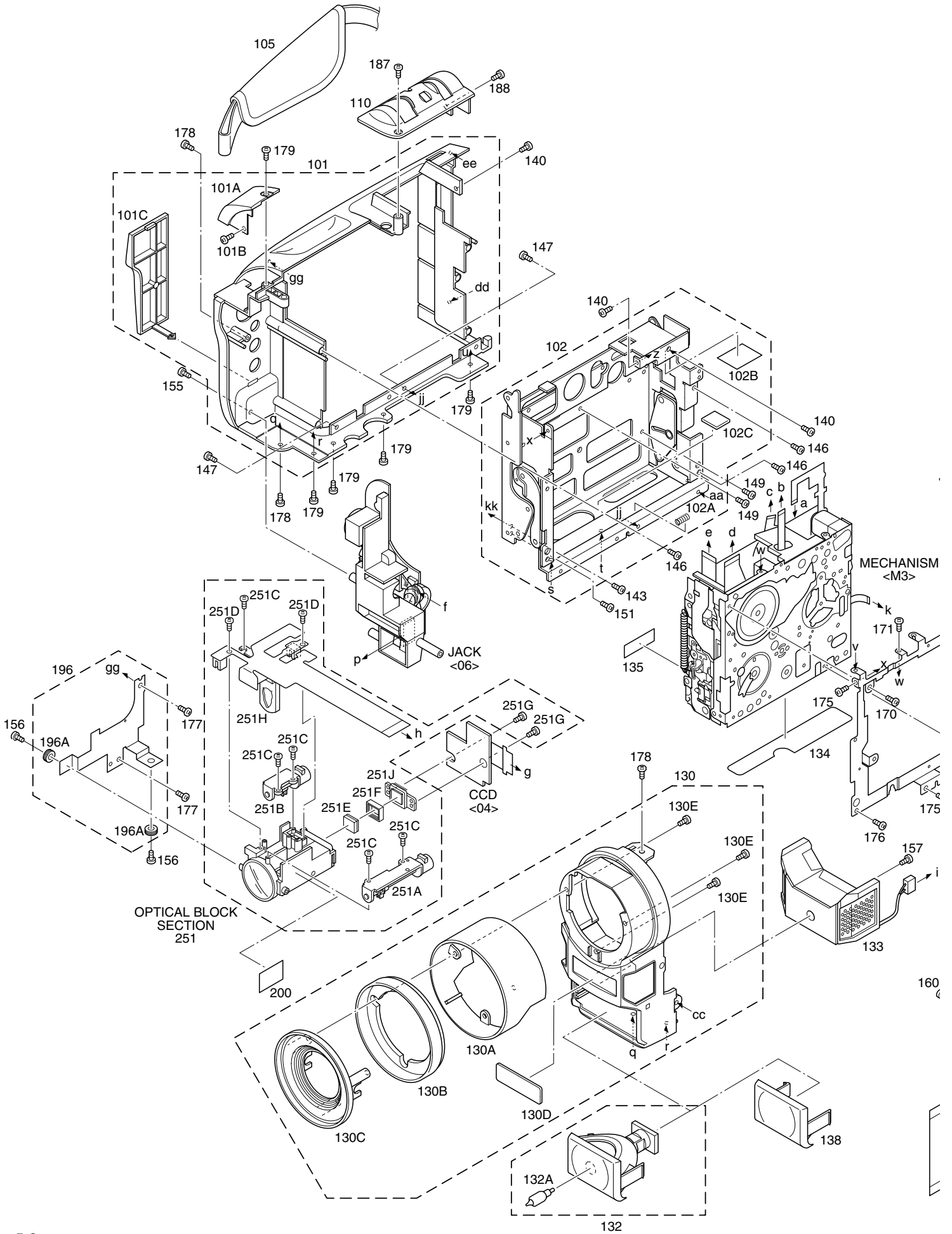
# △ REF No. PART No. PART NAME, DESCRIPTION  
 \*\*\*\*\*

**PACKING AND ACCESSORY ASSEMBLY <M1>**

1	—	PACKING CASE
2	LY32345-001A	CUSHION
3	LY30023-008A	POLY BAG
4	QPA02003006	POLY BAG
△ 5	LYT0784-001A	INST.BOOK(SP),DVL310UM
△ 6	LYT0786-001A	INST.BOOK(PT),DVL210UM
7	LYT0378-003A	SHEET(AGREEMENT)
11	LY32210-002B	CD ROM,DVL310UM
△ 12	LY20688-011A	AC ADAPTER,AP-V10EN,DVL310UM
△ 13	LY20688-012A	AC ADAPTER,AP-V10EG-SV,DVL210UM
△ 14	LY31587-001A	BATTERY PACK,BN-V408U
15	QAM0211-001	CABLE ASSY,AUDIO/VIDEO CABLE
16	QQR0918-002	CORE FILTER
17	LY20186-001A	SHOULDER STRAP
18	LY42129-001A	REMOTE CONTROL UNIT,RM-V715U
19	—	BATTERY,AAA(R03),X2
20	LY42182-001A	LENS CAP
21	QPA01703005	POLY BAG
22	QQR0490-002	CORE FILTER
△ 23	QMPS110-190-JR	POWER CORD,DVL210UM
△ 24	QMPS150-190-JR	POWER CORD,DVL310UM
25	QAM0004-003	S CABLE,DVL310UM
26	QQR0491-002	CORE FILTER,DVL310UM
△ 27	LYT0531-001A	INST.BOOK(SOFT.SETUP),DVL310UM
△ 28	LYT0823-001A	INST.BOOK(SOFT.PT),DVL210UM
△ 29	LYT0531-006A	INST.BOOK(SOFT.OPE.SP),DVL310UM
△ 30	LYT0823-002A	INST.BOOK(SOFT.OPE.PT),DVL210UM
31	QAM0084-001	PC CABLE,DVL310UM
32	QQR0491-002	CORE FILTER,DVL310UM
33	—	MINI DV TAPE,M-DV30MEBU,DVL310UM

- **INSTRUCTIONS**
- SP ..... SPANISH
- PT ..... PORTUGUESE

5.2 FINAL ASSEMBLY <M2>





#	△ REF No.	PART No.	PART NAME, DESCRIPTION
*****			
<b>FINAL ASSEMBLY &lt;M2&gt;</b>			
101		LY20706-010A	LOWER CASE ASSY
101A		LY32098-001A	WINDOW(IR)
101B		LY30018-063A	SPECIAL SCREW
101C		LY32099-001C	COVER(JACK)
102		LY20697-001C	ARM ASSY
102A		LY30001-023A	TENSION SPRING
102B		LY30029-0C7A	SPACER(A)
102C		LY30029-0E9A	SPACER(A)
103		LY20693-001A	ZOOM UNIT
104		LY20704-001B	CASSETTE COVER ASSY
104A		LY40592-001A	CAP(GRIP BELT)
105		LY20575-004B	GRIP BELT
106		LY42891-001A	HOOK(GRIP)
107		LY32092-007A	COVER(AJUST),DVL310UM
		LY32092-008A	COVER(AJUST),DVL210UM
110		LY32093-001B	COVER(ZOOM)ASSY
111		LY20725-001A	REAR UNIT
112		LY41691-001A	COVER(JIG)
115		LY20707-018A	UPPER CASE(2.5)ASSY,DVL310UM
		LY20707-016A	UPPER CASE(2.5)ASSY,DVL210UM
115A		LY32101-001A	BRACKET
115B		LY40664-001A	SPACER,X2
115C		LY31019-001A	BASE
115D		LY30018-084A	SPECIAL SCREW,X3
115E		LY30018-0A8A	SPECIAL SCREW,X4
115F		LY42866-001A	CAP(DC JACK)
115G		LY32110-001A	COVER
116		LY32106-001A	COVER(HINGE)
117		LY30018-084A	SPECIAL SCREW,X2
118		QAS0048-001	SPEAKER
119		LY42167-001A	PLATE(SPK)
120		LY42919-001A	KNOB(SLIDE),DVL310UM
122		QUQ105-4007AA	FFC WIRE,MAIN CN101-MONI CN761
△ 130		LY20711-001A	FRONT COVER ASSY,DVL310UM
		LY20711-002A	FRONT COVER ASSY,DVL210UM
130A		LY32111-001A	HOOD
130B		LY32112-001A	RING
130C		LY32113-001A	HOOD(SCREW)
130D		LY42953-001A	MARK
130E		LY30018-052A	SPECIAL SCREW,X3
132		LY31617-002A	DC LIGHT ASSY,DVL310UM
132A		YQ44266	LAMP,DVL310UM
133		LY32114-001A	MICROPHONE
134		LY40698-002A	LABEL(HOUSING)
135		LY40699-002A	LABEL(PUSH)
136		LY43093-012A	STICKER(TOP),DVL210UM
		LY43093-008A	STICKER(TOP),DVL310UM
137		LY43094-003A	STICKER(SIDE)
138		LY31660-002A	COVER(LIGHT),DVL210UM
140		LY30018-084A	SPECIAL SCREW,X3
141		LY30018-096A	SPECIAL SCREW,X2
142		LY30018-038A	SPECIAL SCREW
143		LY30018-084A	SPECIAL SCREW
144		LY30018-0D1A	SPECIAL SCREW
145		LY30018-084A	SPECIAL SCREW,X4
146		LY30018-084A	SPECIAL SCREW,X3
147		LY30018-038A	SPECIAL SCREW,X2
148		LY30018-038A	SPECIAL SCREW,X5
149		LY30018-084A	SPECIAL SCREW,X2

#	△ REF No.	PART No.	PART NAME, DESCRIPTION
150		LY30018-084A	SPECIAL SCREW,X2
151		LY30018-023A	SPECIAL SCREW
155		LY30018-084A	SPECIAL SCREW
156		LY30019-029B	SPECIAL SCREW,X2
157		LY30018-023A	SPECIAL SCREW
158		LY30018-0D6A	SPECIAL SCREW,X2
159		LY30018-023A	SPECIAL SCREW,X3
160		LY30018-047A	SPECIAL SCREW
162		LY30018-063A	SPECIAL SCREW
163		LY30018-064A	SPECIAL SCREW
170		LY30019-026A	SPECIAL SCREW,X2
171		YQ43893-4	MINI SCREW
172		YQ43893-4	MINI SCREW
173		LY30019-033A	SPECIAL SCREW,X2
174		QYSPSPT1730Z	SCREW,X2
175		LY30018-066A	SPECIAL SCREW,X4
176		LY30018-084A	SPECIAL SCREW
177		LY30018-084A	SPECIAL SCREW,X2
178		LY30018-084A	SPECIAL SCREW,X3
179		LY30018-084A	SPECIAL SCREW,X5
180		LY30018-092A	SPECIAL SCREW
185		LY30018-065A	SPECIAL SCREW
186		LY30018-006B	SPECIAL SCREW
187		LY30018-092A	SPECIAL SCREW
188		LY30018-065A	SPECIAL SCREW
189		LY30018-037A	SPECIAL SCREW
190		LY30018-037A	SPECIAL SCREW
191		LY30018-084A	SPECIAL SCREW,X2
195		LY20696-001A	BRACKET(MECHA)
196		LY42846-001C	BKT(OP) ASSY
196A		LY42796-002A	BUSH,X2
198		LY32081-001A	SHIELD PLATE
199		WJT0044-001A	E-CARD WIRE,MAIN CN113-JUNC CN571
200		LY43092-001A	PLATE

**- OPTICAL BLOCK SECTION -**

251		J7A-133A	OPTICAL BLOCK ASSY
251A		LY30723-001B	ZOOM MOTOR
251B		LY30724-001B	FOCUS MOTOR
251C		LY30727-002A	SCREW,X5
251D		LY30727-001A	SCREW,X2
251E		LY42936-001A	OPTICAL LPF
251F		LY31639-001A	SPACER RUBBER
251G		QYSPSGU1750Z	SCREW,X2
251H		LY32160-001A	IRIS MOTOR
251J		YS40168E	CCD BASE ASSY